

Why Does Code Compliance Matter?

OSHA 1926.552(b)8 requires “All material hoists shall conform to the requirements of ANSI A10.5, Safety Requirements for Material Hoists.”

ANSI A10.5 Sect 15.24 requires a power failure disconnect that automatically disconnects all motors from line upon power failure and does not permit any motor to be restarted until manually reset.

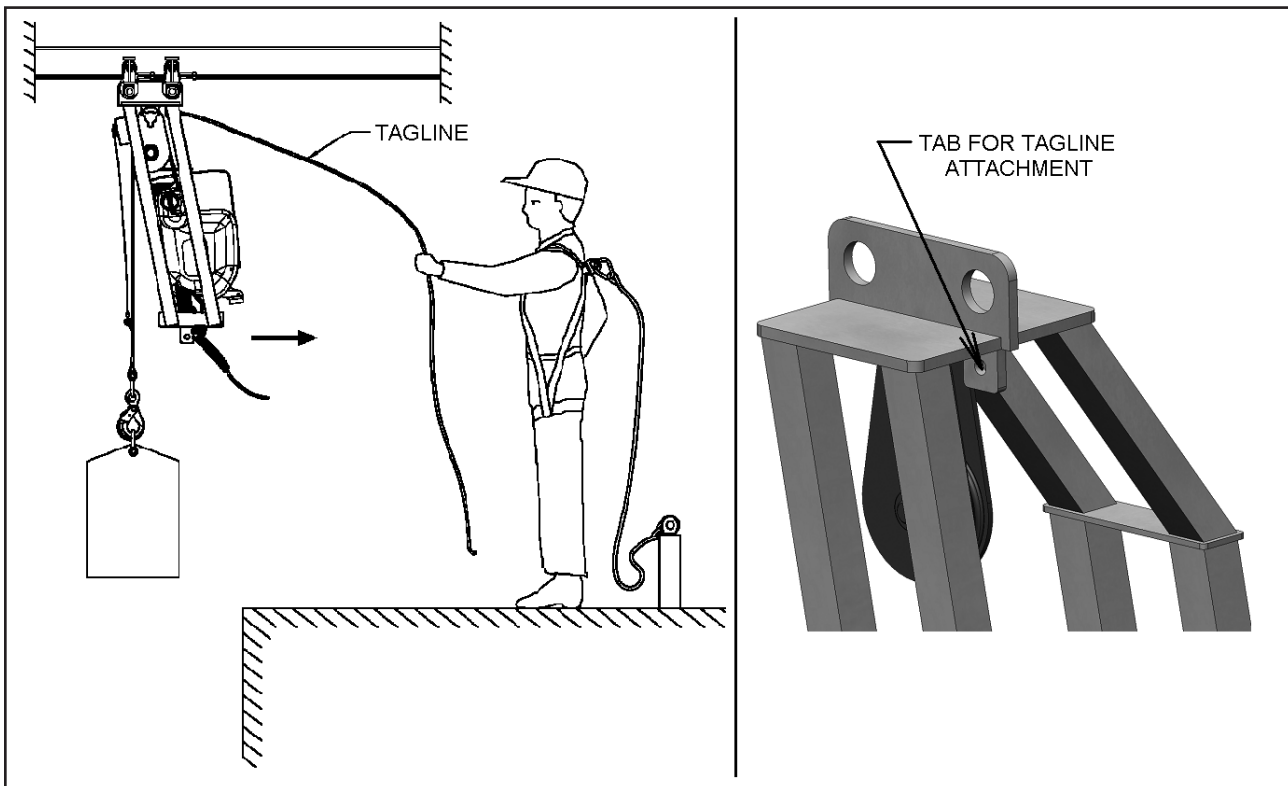
✓ **Satisfied by the power-loss reset switch on the electrical set. This prevents the hoist from inadvertently beginning running if power is restored unexpectedly.**

ANSI A10.5 Sect 19.1 requires a position indicator, defined as positive system, to indicate when load has reached specific position.

✓ **Satisfied by upper limit switch. This prevents load from being inadvertently run up into the bottom of the hoist.**

ANSI A10.5 Sect 20.4 requires an emergency electrical cutoff– a means within reach of the operator to cut off the electrical power to the hoist.

✓ **Satisfied by Emergency Stop (E-Stop) on the electrical set. In the case of a hoist malfunction, the operator can cut off source power to the hoist quickly.**



*For more Spider material handling projects,
contact your Spider professional*